

TC-FLU24A-W/A
FLOOD DETECTION
DEVICE/AUTOMATIC

DATASHEET-
OPERATIONAL GUIDE.

En-GB
METRIC.
A Series

TRANSMONK
simply precise.



The device is made to sense the presence of water in any room/ environment. It is used to protect against flooding in server rooms, battery rooms, power rooms, offices, laboratories, special designed critical areas etc. It featured with a detector (fit inside panel) and a sensor (installed in critical area which needed to be avoided from any water).

When the sensor meet water, it automatically activates the alarm on the detector, switching the status of the relay.

Key feature

- 3 LED indication for status
- Alarm based indication
- Din rail Mounting

Technical parameters

- Supply input: 24V AC
- Temperature range :0-90 degree C
- Indoor use only
- Length of the sensor cable :500m
- Potential free Relay

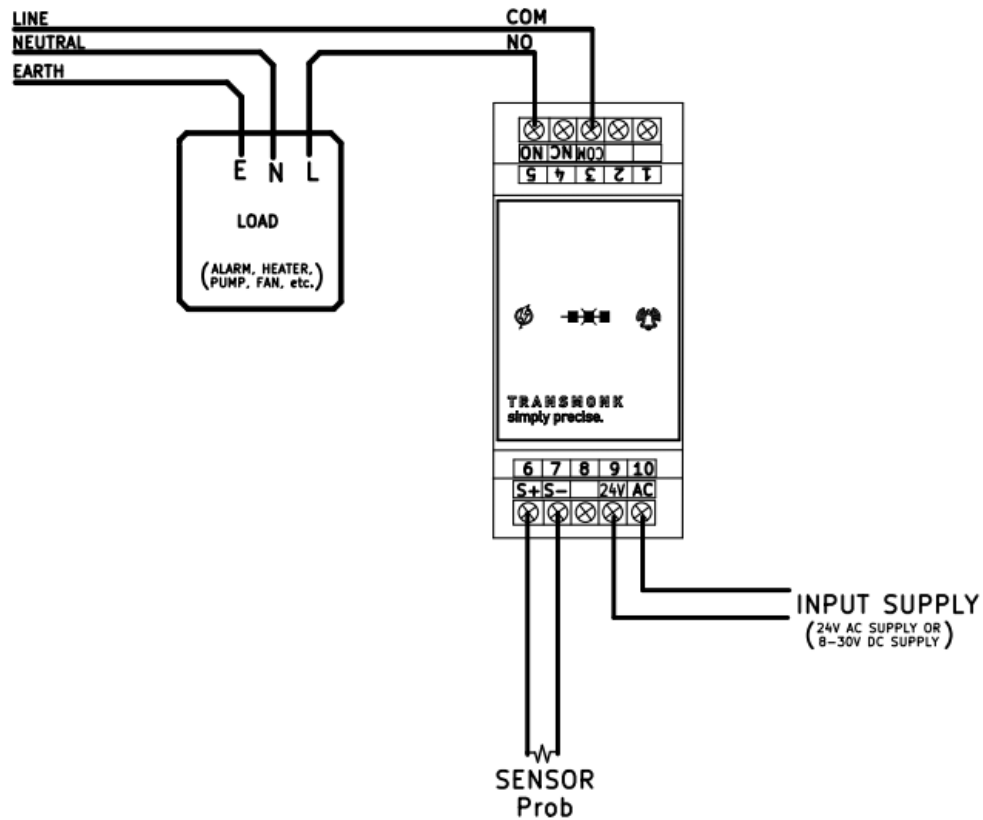
LED Status

Green	On	Power supply
Yellow	On	Sensor not connected to detector
Red	On	Water detected

Wiring Connection

1- NA	6-S+, sensor prob
2-NA	7-S-, Sensor prob
3-COM, Common for potential free Relay	8-NA
4-NC, normally closed	9-24V AC/ 8-30V DC input supply
5-NO, normally open	10-

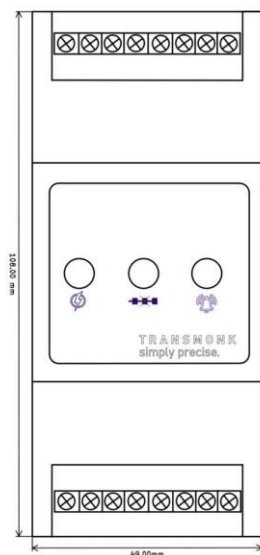
Wiring details



Technical Specifications

Model	TC-FLU24A-W/A
Operation	Automatic
Power Supply	12 to 24 Vac +/-10% or 8 to 32 Vdc (min-max)
Sensor	10Kohm at 25°C 5%
Output Signal	Potential Free Relay
Dimension	Length =92 mm Width =37 mm Height =60 mm
Mounting type	Din drill mounting

Dimensional details



Operating Instructions

Connect the flood sensor to detector module and leave the sensor at a place where water need to be checked.

Once the power is on check all the LED's, green LED status will show that flooding controller is on , in case yellow LED is on then operator need to check for sensor connection.

Red led will show the status of water detection and once water is detected it will provide signal to potential free relay.